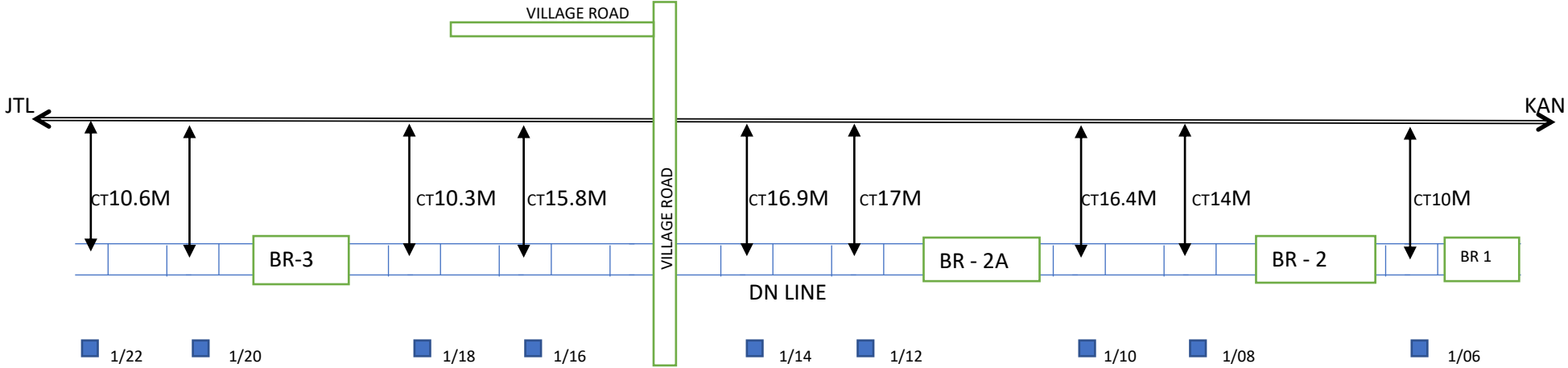
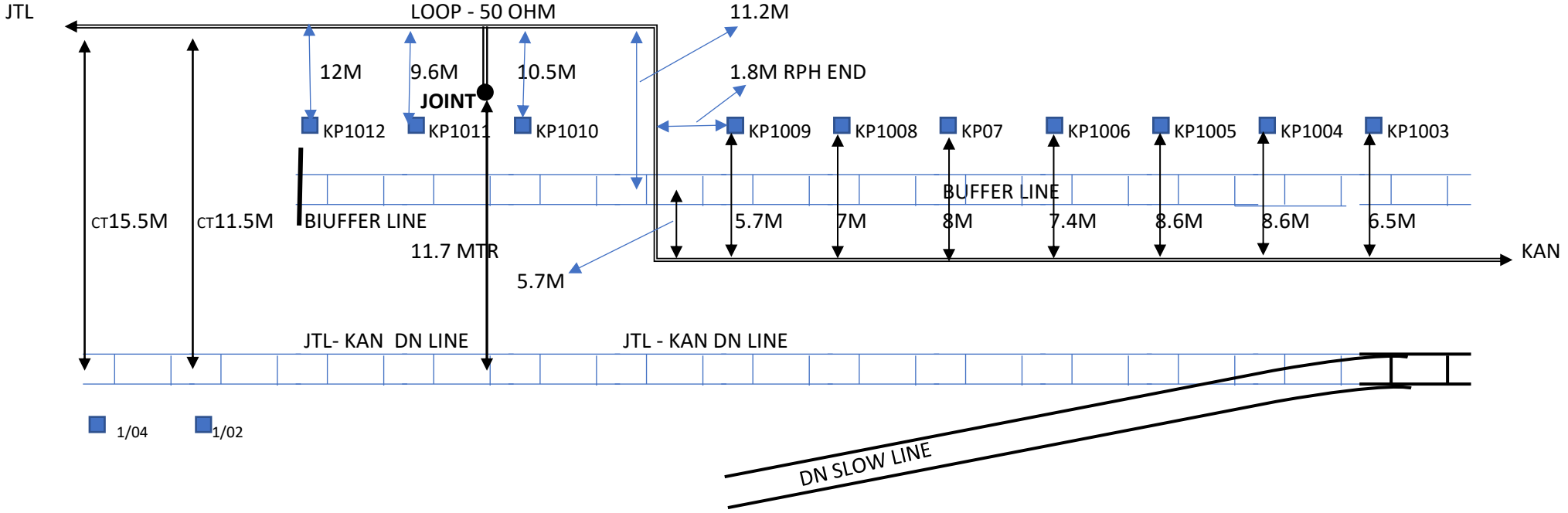


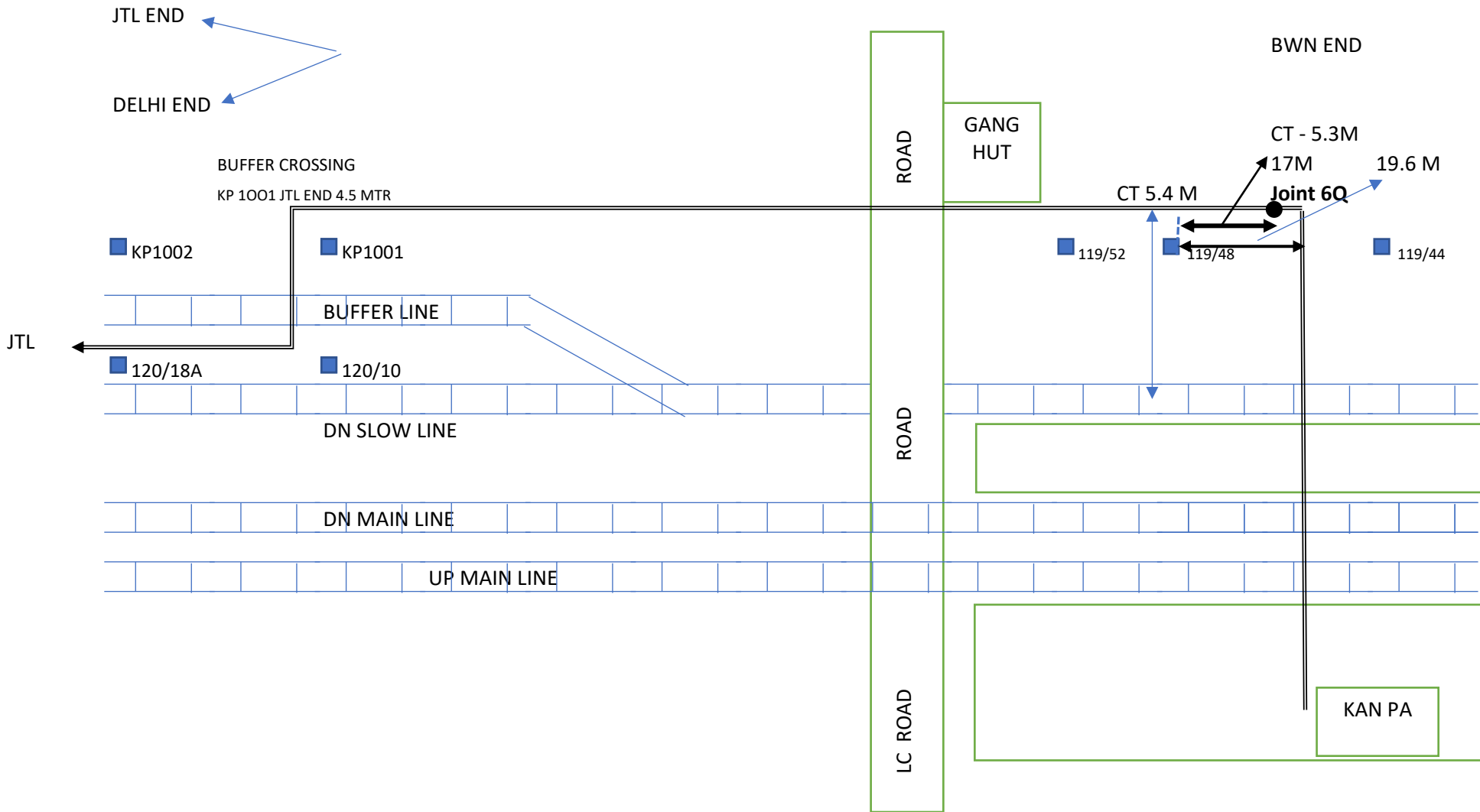
TOWARDS KAN END CABLE IS LEFT SIDE



**JOINT** FROM JTL KAN DN LINE CT 11.7 MTR  
 KP1010 POST + 18 M (JTL END)  
 LOOP - 50 OHM



# KAN - JTL 6 QUAD CABLE ROUTE DIAGRAM



Signature of SSE/T/BHP

Signature of ASTE/RPH