

**MECHANICAL (C&W) DEPARTMENT**  
**SEALDAH DIVISION**

**Mechanized Laundry Setup of 4T Capacity at Sealdah Depot**

Two (2) Ton capacity Mechanized Laundry setup at Sealdah Coaching depot for providing good quality proper wash linen items to the passengers for their satisfaction. This laundry plant started its functioning on & from 04/04/2011.

Augmentation of Mechanized Existing Laundry to increase the capacity from 2 Ton to 4 Ton already done to increase the capacity of production for providing good quality wash linen to more passengers.



**MECHANISED LAUNDRY OUT-TURN PER DAY**

Month	2016-17	2017-18	2018-19	2019-20	2020-21
Apr	4177	7188	8083	9212	390
May	4253	6538	7557	9239	421
Jun	4601	6533	8091	9027	482
Jul	4362	5977	7280	8696	0
Aug	4585	4985	7032	8752	0
Sep	4386	4755	7694	7844	0
Oct	3617	5737	7589	10185	0
Nov	4453	6820	7369	9762	0
Dec	4520	7228	7543	8452	
Jan	4717	7152	7166	9391	
Feb	4715	7605	7567	8931	
Mar	5671	7052	7810	6496	
Avg/Mon	4505	6465	7565	8832	162

## **DETAILS OF TRAIN SUPPLY OF LINEN WASH BY MECHANISED LAUNDRY SEALDAH.**

The washing quality of Sealdah Mechanized Laundry is highest standard & quite satisfactory. These linens are being supplied to the following trains.

- ✓ 12313/14 – Sealdah – New Delhi Rajdhani Express
- ✓ 12259/60 – Sealdah – New Delhi Duranto Express
- ✓ 22201/02 – Sealdah – Puri Duranto Express
- ✓ 12343/44 – Sealdah – New Jalpaiguri Darjeeling Mail
- ✓ 12377/78 - Sealdah – New Jalpaiguri Padatik Express
- ✓ 13153/54 – Sealdah – Maldah Town Gour Express
- ✓ 12329/30 – Sealdah - Delhi WB Sampark Kranti Express
- ✓ 12379/80 – Sealdah – Amritsar Weekly Express
- ✓ 13149/50 – Sealdah – Alipur Duar Jn. Kanchan Kanya Express
- ✓ 13141/42 – Sealdah – New Alipurduar Teesta Torsa Express
- ✓ 13185/86 – Sealdah – Jaynagar Gangasagar Express
- ✓ 13163/64 – Sealdah – Saharsa Jn. Hate Bazare Express
- ✓ 22317/18 – Sealdah – Jammu Tawi Humsafar Express

## **FIRE PROTECTION SYSTEM AT SEALDAH MECHANIZED LAUNDRY.**

It is essential to provide fire protection system for safety aspect of Linen items as they are always fire prone. Thus this system has been installed.

Mechanized laundry Sealdah deals with Washing & Supply of huge quantity of Bed sheets, Pillow cover, Hand towel, Bath towel, Blanket cover etc. All dry linen items are being kept in rack and floor area in a regular measure inside the Mechanized Laundry area.

Fire detection and protection system has been installed at Sealdah Mechanized laundry. The system was inaugurated by AGM/ER, DRM/SDAH along with all branch officers on 04/10/2018.

The Fire protection system will work automatically in case of any fire incident.

This system will help in safe-keeping linen items from fire as the Fire protection System will work on its own whenever any fire is detected.



## SETUP OF STEAM CONDENSATION PLANT AT MECHANIZED LAUNDRY PLANT PREMISES

This plant has been setup for Condensation of exhaust Steam of mechanized laundry equipments & there after this hot water directly supplied to under slang stores tank for re-used as feeding to boiler to save fuel (HSD Oil) consumption. This project was installed by C&W/SDAH supervisors & staffs. In-house materials are used except rotary pump for this project. A huge amount saved by C&W/SDAH.



## OPERATION OF SEALDAH MECHANIZED LAUNDRY



**Entry of Dirty linen**



**Segregation of dirty Linen**



**Washing chemical**



**Loading of linen in washer cum extractor**



**Washing of linen**



**Stretching of Linen before calendaring**



**Before Calendaring/Ironing of linen**



**After Calendaring/Ironing of linen**



**Folding of linen**



**After folding**



**Packaging of linen**



**Linen Ready to despatch**

## Mechanized Laundry Setup of 5T Capacity at Kolkata Depot

### **Work - Shed with room (20mX35m - Brick wall)**

Sanctioned Year: 2017-18, LB item No: 585 of 2019-20

Cost (in thou): Civil- 8433, Elect: 1430

Execution agency: Sr.DEN/Co/SDAH. HQ- PCE/KKK.

### **Work – Supply, installation & commissioning of Laundry equipments**

Sanctioned Year:- 2017-18 OT/PH-53

LB item No: 724 of 2019-20

Cost (in thou):- 24642(in thou)

Execution agency: Sr.DME/SDAH. HQ- PCME/KKK.

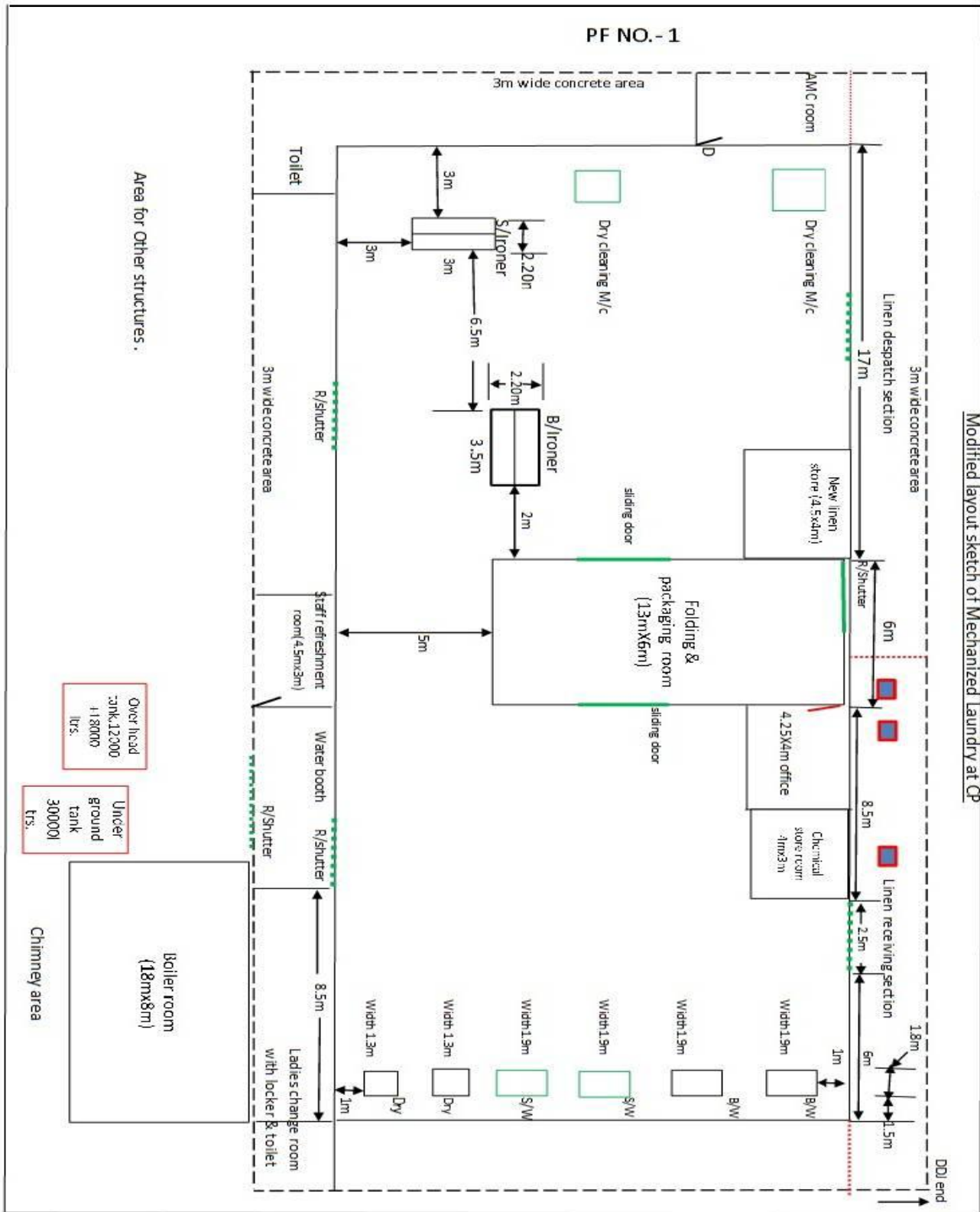
The following laundry equipments are supply, installation, commissioning & performance testing at Kolkata Terminal, CP.

Material received on 30/9/19.

Installation work started on date 06.02.2020.

Machine	Capacity	Qty
Heavy duty Big washer cum extractor	130 Kg.	2Nos.
Heavy duty small washer cum extractor	70 Kg.	2Nos.
Industrial Tumbler Dryer for towels	70 Kg.	2Nos.
Flatwork ironer with steam heating	3000x800mm. 25m run per minute	1 No.
Small flat work ironer with steam heating	1500x800mm, 25m per minute	1 No
Air compressor	Min-15CFM, Pressure-9 Kg/cm <sup>2</sup>	1 No.
Oil fired, horizontal, multi tubular 3 pass fully wet back shell and tube boiler	Evaporation capacity:1000 Kg/hr. Working pressure-10.54Kg./Cm <sup>2</sup> , Thermal effency-88± 2% Oil consumption- 56 ltrs/hr.	1No.
Steam boiler,(vertical, HSD oil red)	Evaporation capacity:600 Kg/hr, Working pressure-10Kg/Cm <sup>2</sup> , Thermal effency-88±2% Oil consumption- 34 ltrs/hr.	1 No.
Industrial water softening plant with accessories	Vessel dia-770mm, Working pressure -1.5 to 3.5 Kg/cm <sup>2</sup>	1 set
Water feed pump	Capacity-3hp, Head-upto 76mtrs, Discharge-49LPS	2 No.
Wet, dry linen trolley SS with castor wheel	LxBxW- 40x30x34(inch)	12 No.
Feeding, Folding tables- SS with castor wheels	LxBxW - 90x30x34 (inch)	6 No.
Electrical fittings for Mechanized Laundry	Turnkey	LS

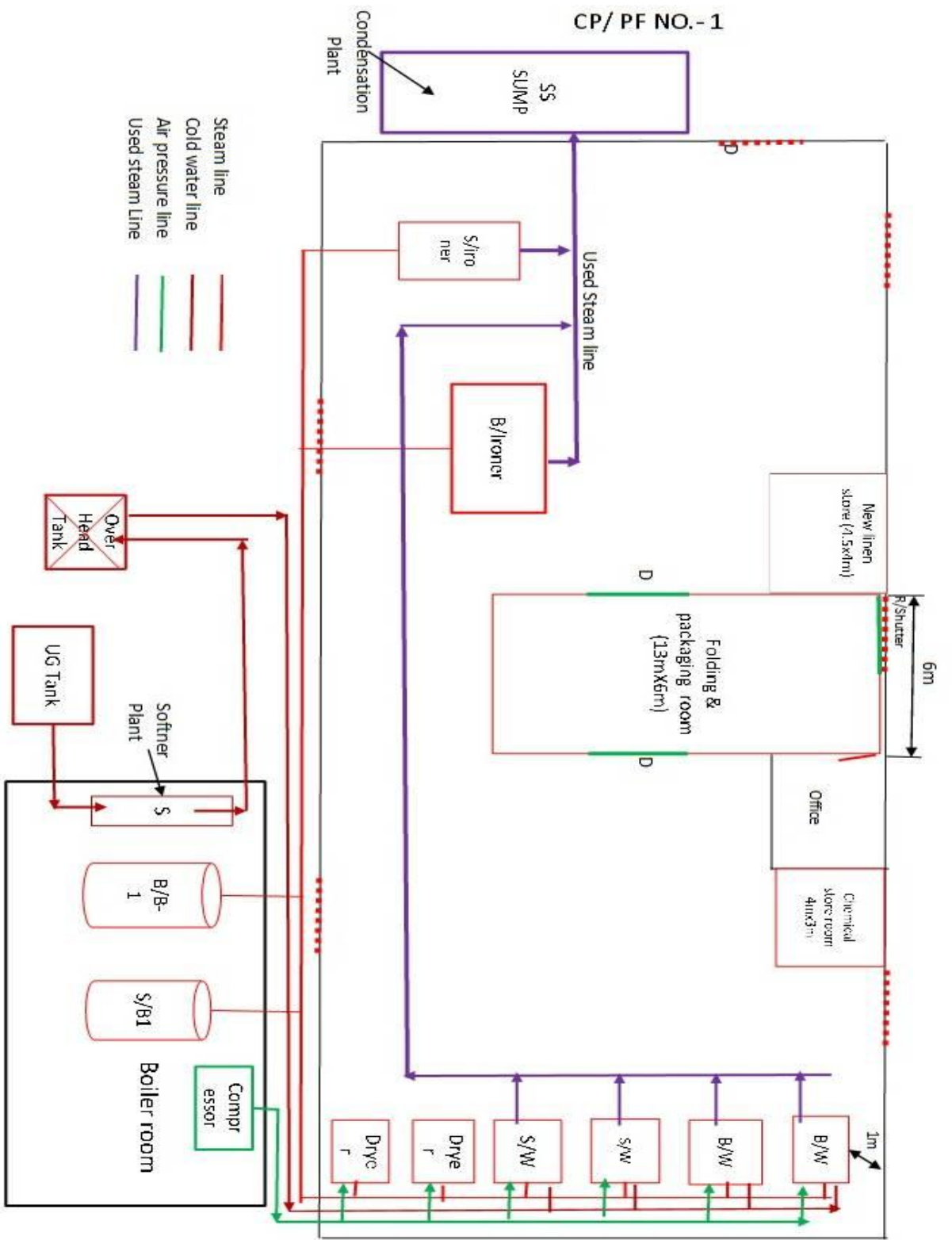
# MECHANIZED LAUNDRY AT KOAA:



Layout of Mechanized Laundry Plant at Chitpur

PF end

Road end



**SOME IMPORTANT PHOTOGRAPH OF OPERATION OF KOLKATA  
TERMINAL MECHANIZED LAUNDRY**



**Industrial Big Washer Extractor  
for Bed Sheet**



**Industrial Big Washer  
Extractor for Bed Sheet**



**Industrial Washer Extractor for  
Pillow Cover & Towel**



**Industrial Washer Extractor  
for Pillow Cover & Towel**



**Industrial Tumbler Drier for  
Towel**



**Industrial Tumbler Drier for  
Towel**



## **SOME IMPORTANT PHOTOGRAPH OF OPERATION OF KOLKATA TERMINAL MECHANIZED LAUNDRY**



**Industrial Big Flat work  
Ironer**



**Industrial Small Flat work  
Ironer**



**Small Industrial Boiler**



**Industrial Big Boiler**



**Water softener Plant**